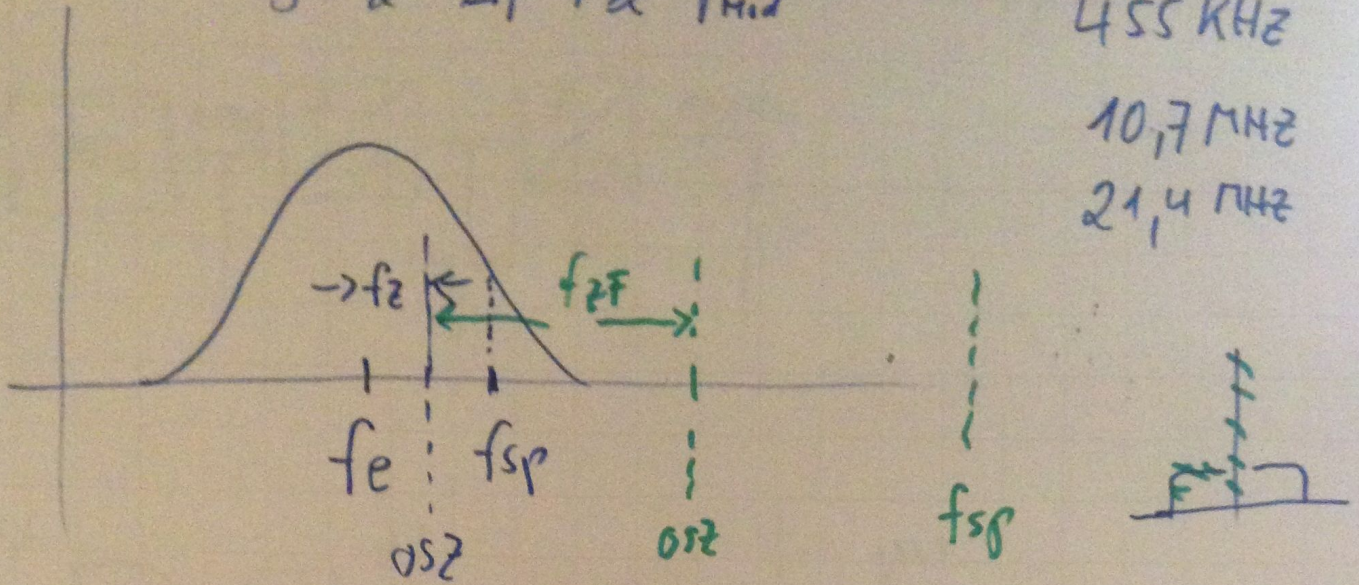


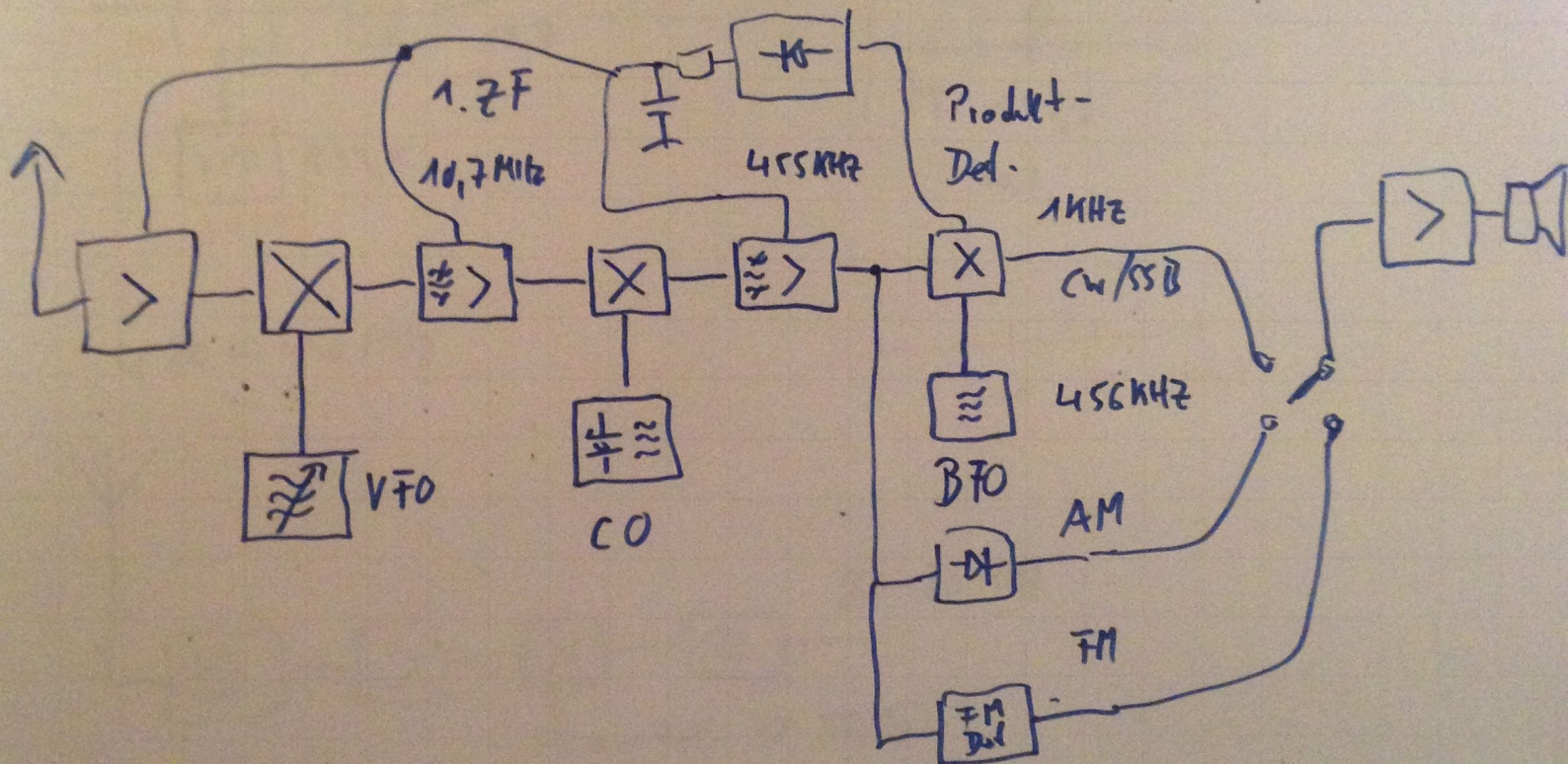
$$b = 2 \cdot \Delta f + 2 \cdot f_{mod}$$



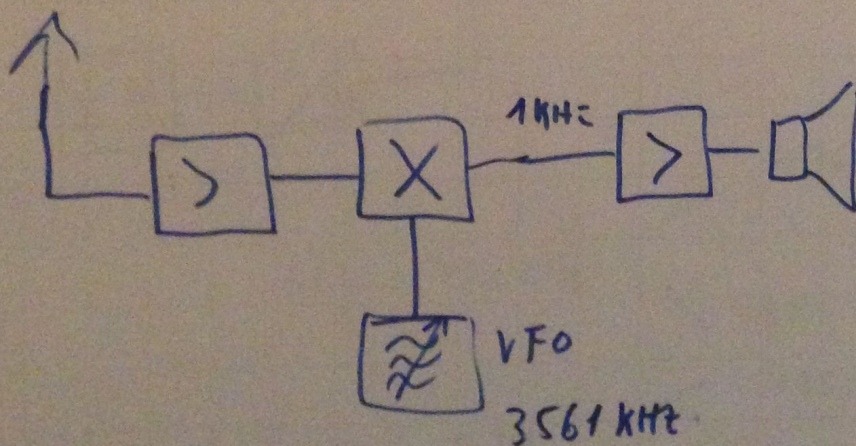
455 kHz

10,7 MHz

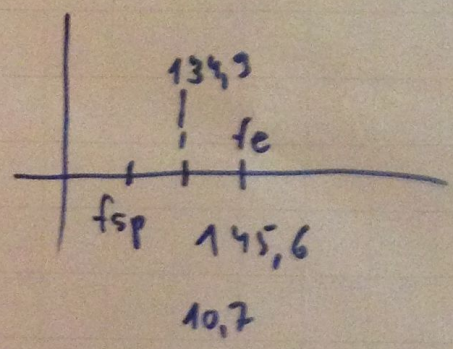
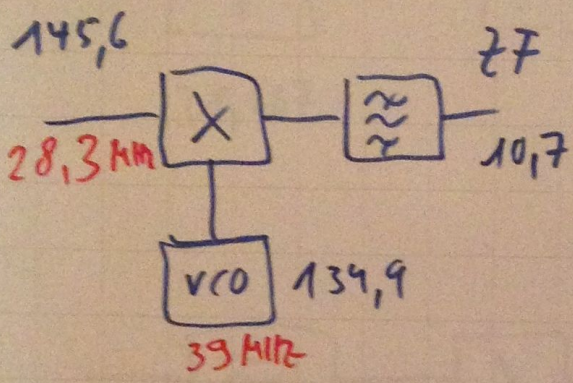
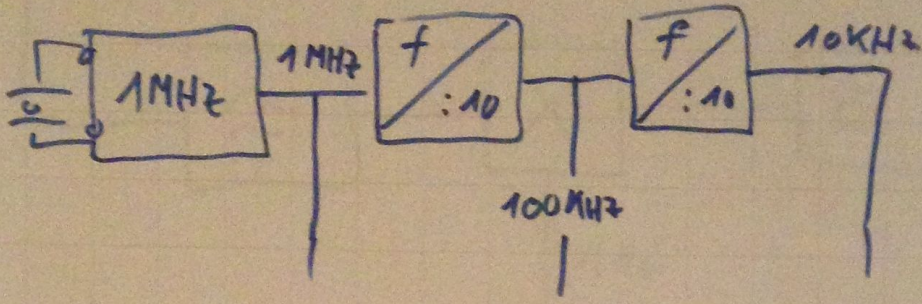
21,4 MHz



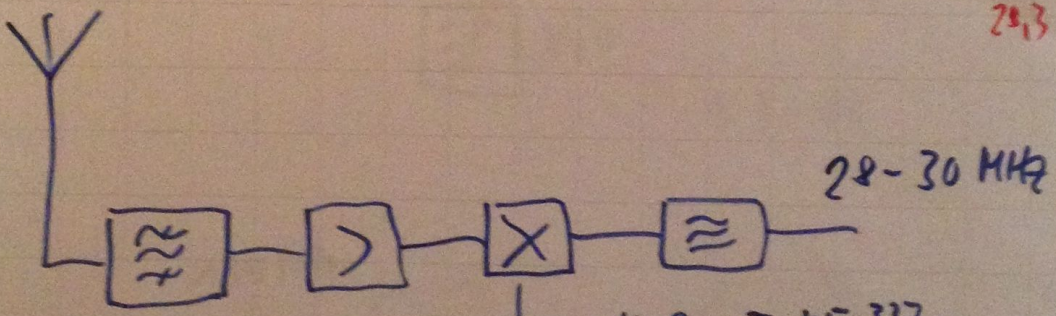
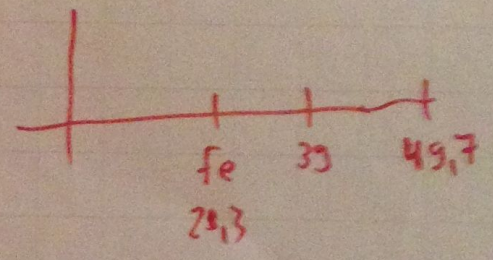
3560 kHz



Eichmarkengeber



430 - 440 MHz



A = 408 → 45,333
B = 440 → 45,556

